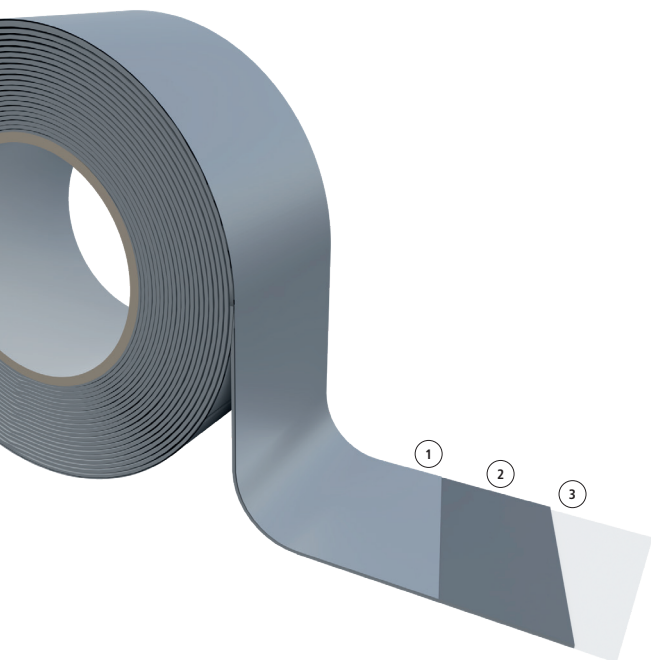
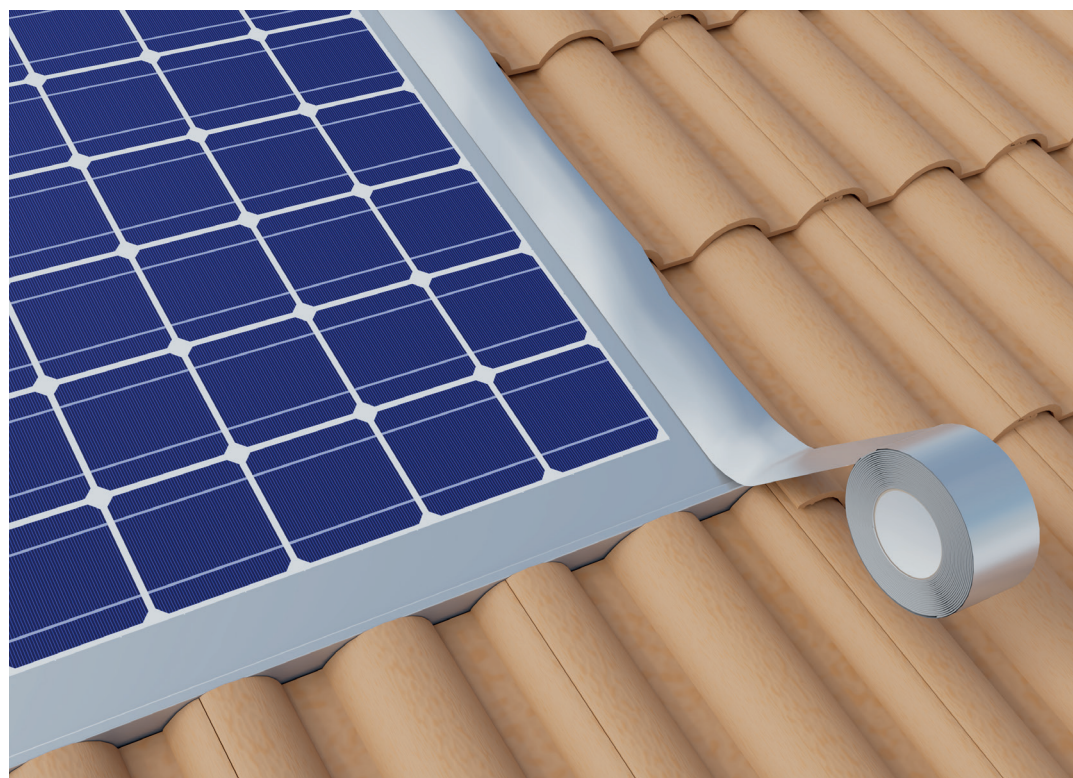


## QUICK OVERVIEW: STRENGTHS

### The fitting that is not afraid of UV rays

- Mono adhesive butyl tape
- Ideal for invisible repair of breakages on sheet metal parts
- Perfect for sealing solar and photovoltaic panels
- Particularly resistant to weathering and aging



#### Composition:

- ① Aluminium film
- ② Butylic glue
- ③ Silicone liner

#### Codes and measures

Version	Code	Measures (mmxm)	Box (pc)	Pallet (box)
Coll ALU 75	02044073	75x10	8	60
Coll ALU 150	02044074	150x10	4	60

#### Features:



#### Technical data sheet

Glue		<b>butyl</b>
Glue carrier material		<b>alu film</b>
Protection liner		<b>YES</b>
Solvents and emollients		<b>NO</b>
Thickness		<b>0,6 mm</b>
Tensile strength MD/CD**	EN 12311-1	<b>180 / 190 N/50mm</b>
Elongation at break MD/CD**	EN 12311-1	<b>15 / 20 %</b>
Probe tack	ASTM D 2979	<b>8.0 N</b>
180° Peel Adhesion	ASTM D 1000	<b>20 N/cm</b>
Solid content	DIN EN ISO 10563	<b>100 %</b>
Vertical scrolling	ISO 7390	<b>0 mm</b>
Vapour passage resistance μ	EN 1931	<b>1530000</b>
Working temperature		<b>+0°C / +40°C</b>
Temperature resistance		<b>-30°C / +90°C</b>
UV stability		<b>high*</b>
Storage place		<b>dry, protected from UV rays, ~20°C</b>
Storage period		<b>max. 12 months</b>

\*with reference to the Central European climate

\*\*MD = longitudinal CD = transversal

Riwega Srl is not responsible for negligent and improper use of its products